

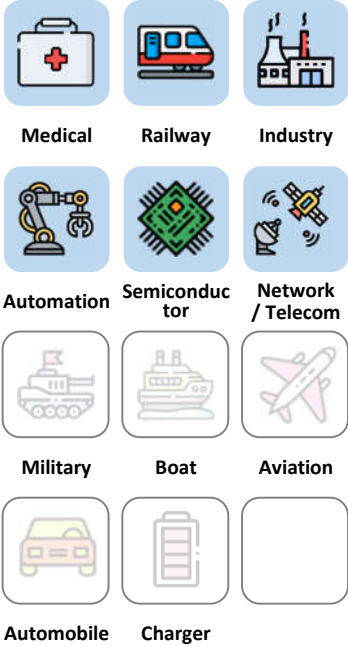


ACO250 Series

250W / Open Frame

AC/DC

Applications



3 Years Warranty



Features

1/2 Brick	90~264VAC Input range	250W Active PFC	Long Hold-up Time	-40~100°C Case Temperature	±5% Output Trimming	3000 VAC Insulation	91 % High efficiency
Base plate cooled	OCP	OVP	OTP	SCP			

Model Number Structure

AC O 250 - 120 S - 250

Series Name	Package	Watt	Output Voltage (VDC)	Output Quantity	Actual Watt
AC series	Open Frame	250	120 : 12	S : Single	Actual Watt
			240 : 24		
			280 : 28		
			360 : 36		
			480 : 48		

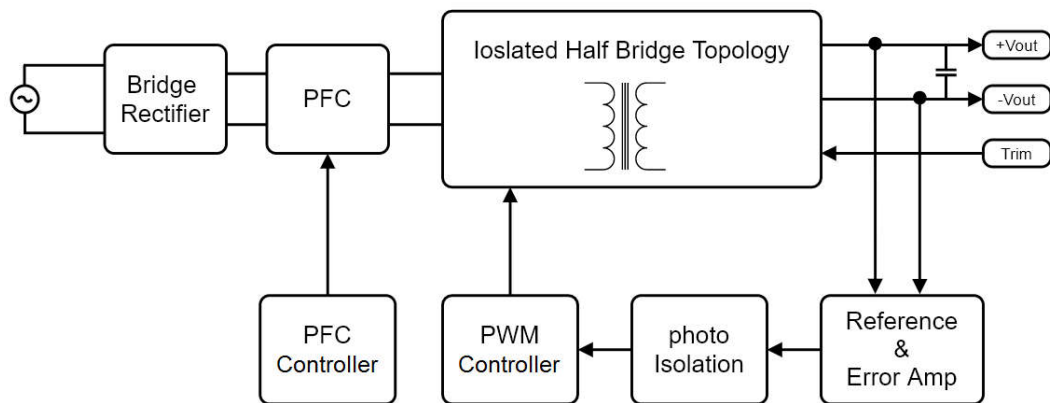
Model Selection Guide

Typical @ Ta=+25 °C under nominal line voltage conditions unless noted

Model	Input			Output			Efficiency
	Voltage (V)		Current (A)	Voltage	Current	Power	
	Range	Nominal	Full load	(V)	(A)	(W)	Typ.(%)
ACO250-120S-250	90-264	230	1.21	12	20.80	250	90
ACO250-240S-250	90-264	230	1.19	24	10.4	250	91
ACO250-280S-250	90-264	230	1.19	28	8.93	250	91
ACO250-360S-250	90-264	230	1.19	36	6.94	250	91
ACO250-480S-250	90-264	230	1.19	48	5.20	250	90

Description

AC series - Half Brick 250W converter is a 250W isolated, regulated ac/dc converter with active PFC in half brick package and long hold-up time setting by external capacitors. It features a high efficiency up to 91%, wide working case temperature range -40~+100°C, no minimum load required, 3kVac reinforced insulation, OVP, OCP, SCP, OTP, etc. These power modules use advanced power processing, control and packaging technologies and are suitable for many applications with harsh environments where wide temperature variation and space limitations, etc.



ACH250 Series Block Diagram

Electrical Specifications

(Typical @ Ta=+25°C under nominal line voltage conditions unless noted.)

Input Specifications

Parameter	Notes and Conditions	Min.	Typ.	Max.	Unit
Operating Input Voltage Ranges		90		264	VAC
Operating Input Frequency Ranges		47		63	Hz
Input Current	at 115VAC 100% load at 230VAC 100% load		2.4 1.2		A
Power Factor	at 115VAC 100% load at 230VAC 100% load		0.99 0.99		
Leakage Current	at 264VAC 60Hz 100% load			3.5	mA

Output Specifications

Parameter	Notes and Conditions	Min.	Typ.	Max.	Unit
Output Voltage Accuracy	100% Load			±1.5	%
Line Regulation	High Line to Low Line			±0.5	%
Load Regulation	0% to 100% Load			±1	%
Output Ripple & Noise Voltage	Bandwidth 20MHz and with 10uF MLCC Output Capacitor			2	%V _{pk-pk}
Output Voltage Adjustment Range	adjustable by external resistor			±5	%
Minimum Load		0			A
Hold Up Time	at full load & 115 /230VAC		12		
Over Voltage Protection		110		140	%
Short-circuit Protection	Hiccup mode	Hiccup mode (Auto-Recovery)			

General Specifications & Environmental Specifications

Parameter	Notes and Conditions	Min.	Typ.	Max.	Unit
Switching Frequency	PFC/AC-DC		100/130		KHz
Storage Temperature Range	All models	-55		125	°C
Over temperature Protection	Auto Recovery		110		°C
Operating Case Temperature	on aluminum base plate	-40		100	°C
Humidity (non condensing)	All models			95	%
Isolation Voltage	Input to Output	3000			VAC
Calculated MTBF	BellCore-TR-332@ 50°C G.B	TBD			M HR
Weight		360(12.7)			g (oz.)
Dimensions		5.00" x 3.03" x 1.57" (127.0 x 77.0 x 40.0 mm)			
Case Material	Aluminum base with plastic case				

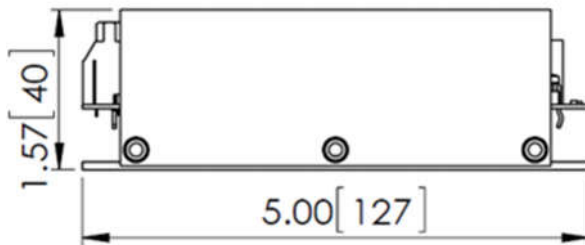
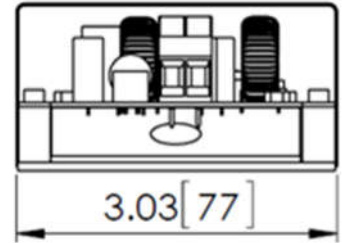
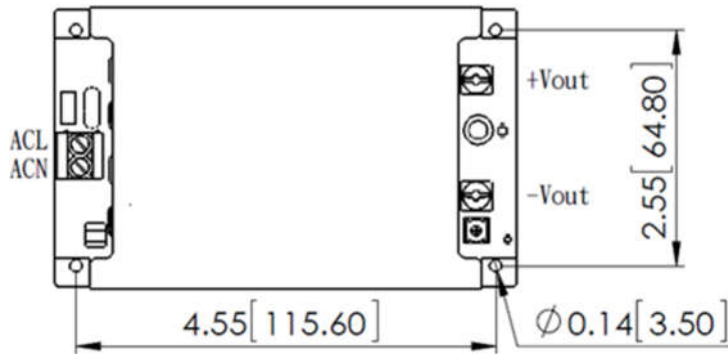
It is recommended to protect the input by fuses or other protection devices.

Modules could meet EN55022 Class A and Class B standard with external components.

The information and specifications contained in this data sheet are believed to be correct at time of publication. All specifications are subject to change without notice. No rights under any patent accompany the sale of any such products or information contained herein.

Mechanical Dimensions & Pin Assignments

Shape



Note:

Pin Material: Copper Alloy

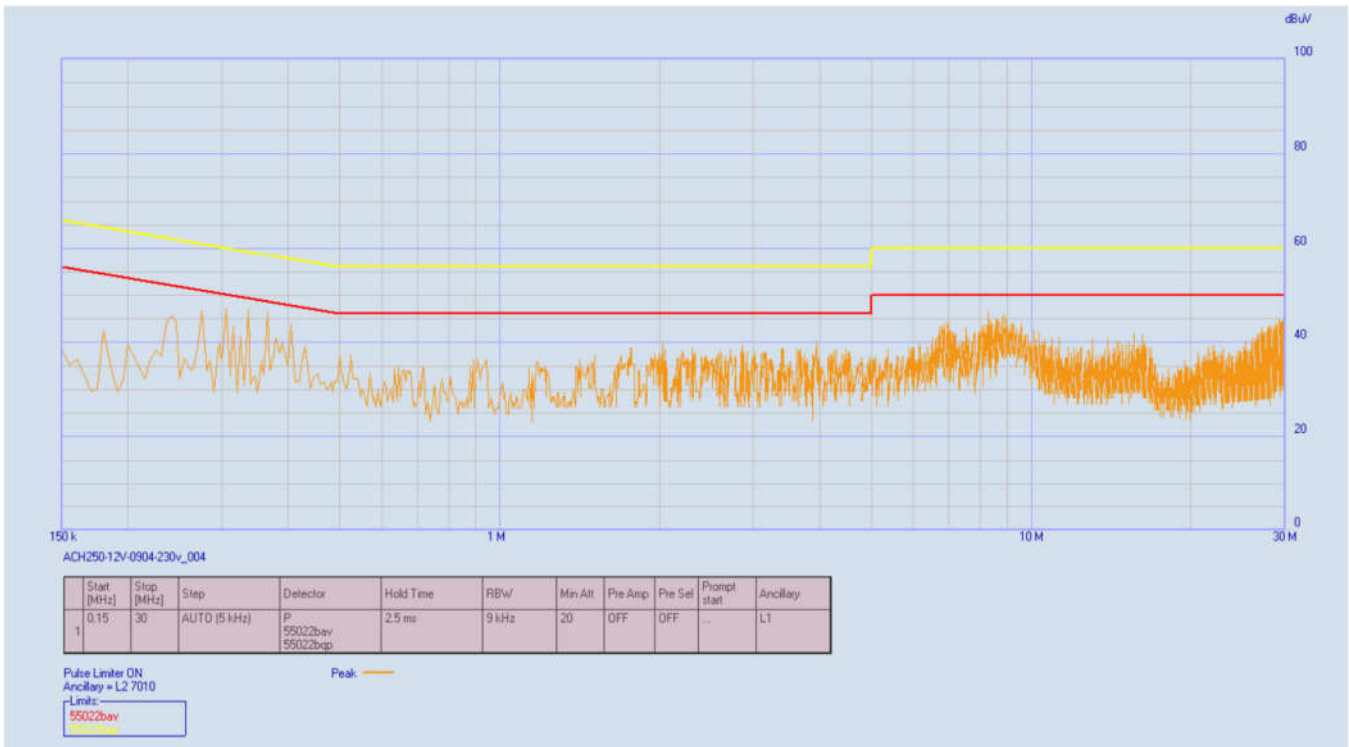
Pin Plating: Gold

Dimensions in inches [mm]

Tolerances: .XX±0.25 [.X±0.5mm]

Conducted EMI

Input terminal value (typ.) ACH250-120S-250 @Vin = 230VDC, Iout = 20.83A





PowerGood Technology Research Group Co., Ltd.

Address : 5F, No. 40, Keya Rd., Daya Dist.,
Taichung City 42881, Taiwan

Website : www.powergood.com

Email : sales1@powergood.com

TEL : +886 4 2568 0448

FAX : +886 4 2568 0438



MORE INFO